

Revised Record

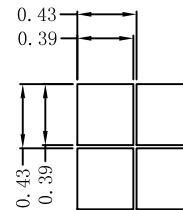
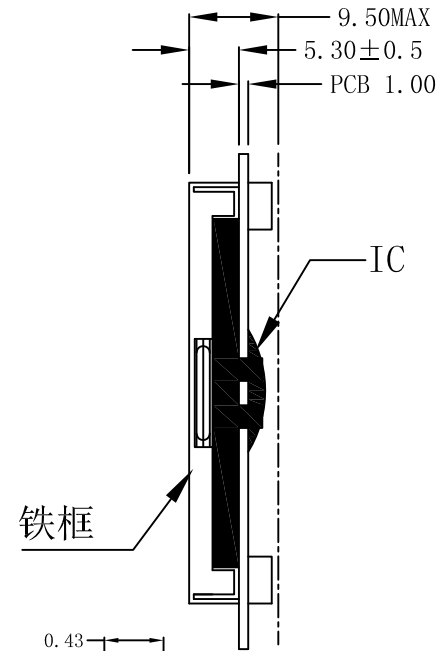
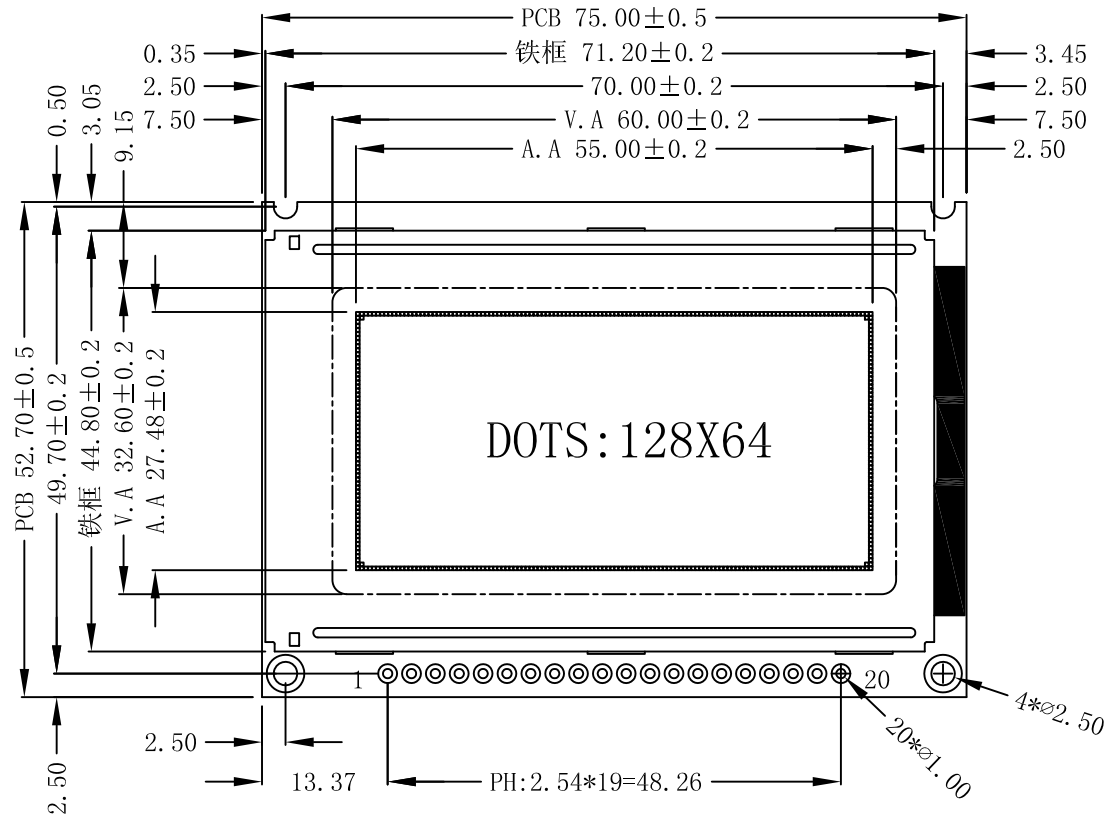
1.0

New issue

2014-12-18

INTERFACE

1	VDD(5V)
2	VSS
3	V0
4	DB0
5	DB1
6	DB2
7	DB3
8	DB4
9	DB5
10	DB6
11	DB7
12	/CS1
13	/CS2
14	/RST
15	R/W
16	D/I
17	E
18	VEE
19	LED-A(5V)
20	LED-K



DOT SIZE:

Customer's Choices:

DISPLAY TYPE:	
View angle:	
Temp:	
Voltage:	
IC:	
Backlight:	
Other:	

NOTES:

- 01. DISPLAY TYPE: STN/POSITIVE(GRAY)/TRANSFLECTIVE RoHS
- 02. OPERATING VOLTAGE: VOP=9.0V,VDD=5.0V
- 03. OPERATING TEMPERATURE: -20°C~+70°C
- 04. STORAGE TEMPERATURE: -30°C~+80°C
- 05. DRIVE MODE: 1/64DUTY,1/9BIAS
- 06. VIEWING DIRECTION: 6:00
- 07. DRIVE IC: AIP31107/31108(OR-EQV)
- 08. CONNECTOR: ZEBER
- 09. BACKLIGHT: LED(WHITE)
- 10. CUSTOMER'S PART ID: BLAZE_STANDARD_PRODUCT

BLAZE Blaze Display Technology Co.,Ltd.

DESIGNED BY: BDT-23	BGB12864-05-SERIES	VERSION: 1.0
CHECKED BY: BDT-09		PAGE 1 OF 1
APPROVED BY: BDT-02		UNIT: mm
Website: http://www.blazedisplay.com		DATE: 2014-12-18