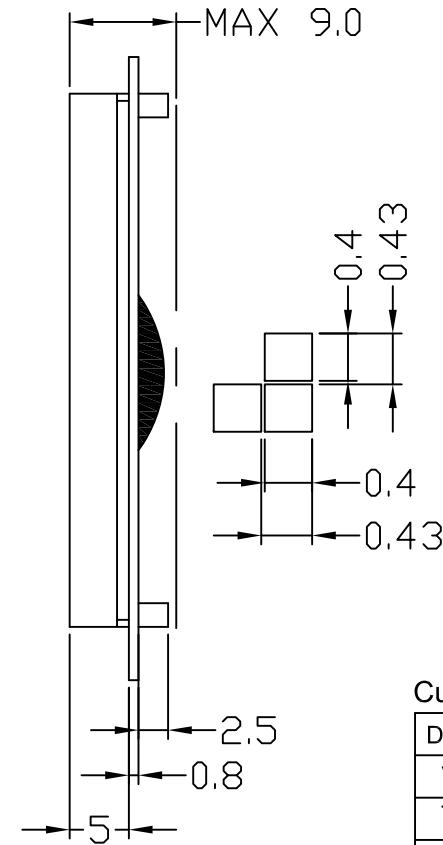
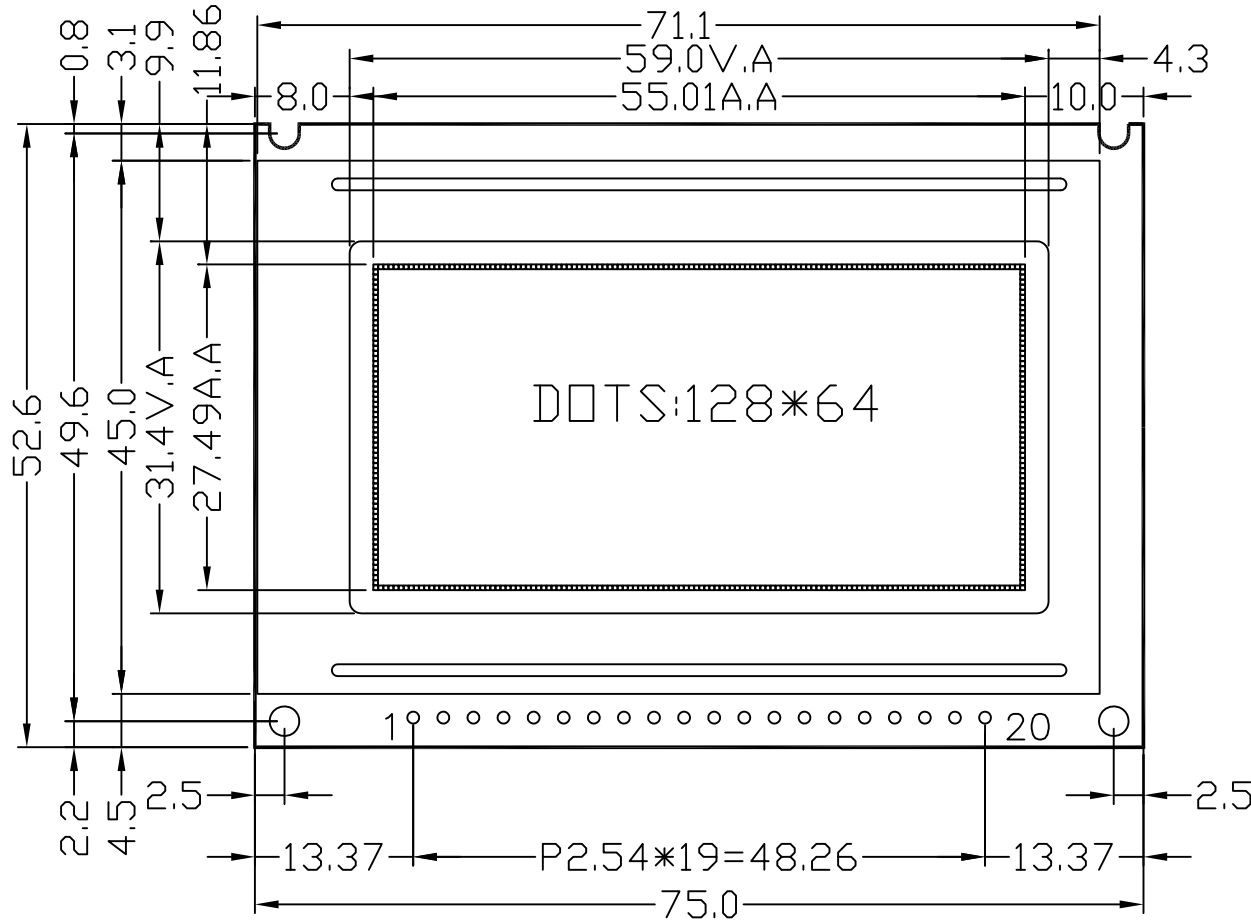


Revised Record

1.0

New issue

2007-12-10



INTERFACE

1	VDD
2	GND
3	V0
4	DB0
5	DB1
6	DB2
7	DB3
8	DB4
9	DB5
10	DB6
11	DB7
12	CS1
13	CS2
14	RST
15	RW
16	RS
17	E
18	VOUT
19	LED-A
20	LED-K

Customer's Choices:

DISPLAY TYPE:	
View angle:	
Temp:	
Voltage:	
IC:	
Backlight:	
Other:	

NOTES:

1. DISPLAY TYPE: STN-BLUE/NEGATIVE/TRANSMISSIVE RoHS
2. OPERATING VOLTAGE: VLCD=8.7V,VDD=5.0V
3. OPERATING TEMPERATURE: -20°C~+70°C
4. STORAGE TEMPERATURE: -30°C~+80°C
5. DRIVE MODE: 1/64Duty,1/9Bias
6. VIEWING DIRECTION: 6:00
7. DRIVE IC: AIP31107/31108(OR-EQV)
8. CONNECTOR: LED(WHITE)
9. CUSTOMER No.:

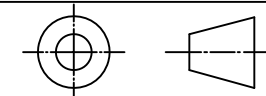
**BLAZE** Blaze Display Technology Co.,Ltd.

DESIGNED BY: BDT-29

**BGB12864-06**

VERSION: 1.0

CHECKED BY: BDT-07



PAGE 1 OF 1

APPROVED BY: BDT-01

UNIT: mm

Website: <http://www.blazedisplay.com>

DATE: 2007-12-10