

Revised Record

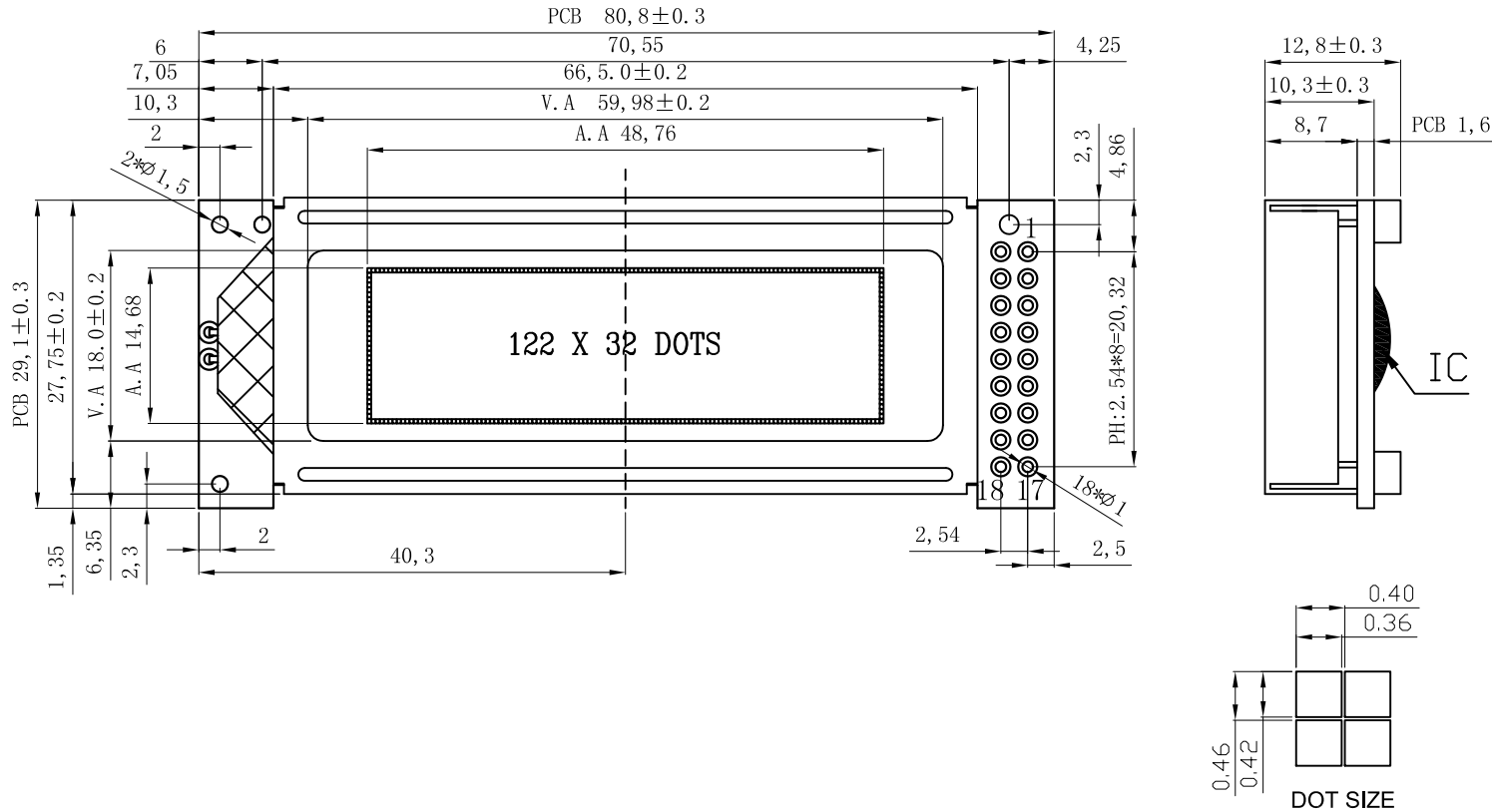
1.0

New issue

2010-11-07

INTERFACE

1	VDD(5V)
2	VSS
3	V0
4	RST
5	E1
6	E2
7	R/W
8	RS
9	DB0
10	DB1
11	DB2
12	DB3
13	DB4
14	DB5
15	DB6
16	DB7
17	LED-A(5V)
18	LED-K



122 X 32 DOTS

NOTES:

- 01. DISPLAY TYPE: STN-BLUE/NEGATIVE/TRANSMISSIVE RoHS
- 02. OPERATING VOLTAGE: VOP=5.0V,VDD=5.0V
- 03. OPERATING TEMPERATURE: -20°C~+70°C
- 04. STORAGE TEMPERATURE: -30°C~+80°C
- 05. DRIVE MODE: 1/32DUTY,1/5BIAS
- 06. VIEWING DIRECTION: 6:00
- 07. DRIVE IC: SBN1661G(OR-EQV)
- 08. CONNECTOR: ZEBER
- 09. BACKLIGHT: LED(WHITE)
- 10. CUSTOMER'S PART ID: BLAZE_STANDARD_PRODUCT

Customer's Choices:

DISPLAY TYPE:	
View angle:	
Temp:	
Voltage:	
IC:	
Backlight:	
Other:	

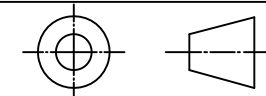
BLAZE Blaze Display Technology Co.,Ltd.

DESIGNED BY: BDT-19

BGB12232-07-SERIES

VERSION: 1.0

CHECKED BY: BDT-08



PAGE 1 OF 1

APPROVED BY: BDT-03

UNIT: mm

Website: <http://www.blazedisplay.com>

DATE: 2010-11-07