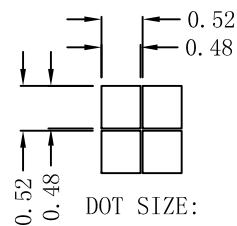
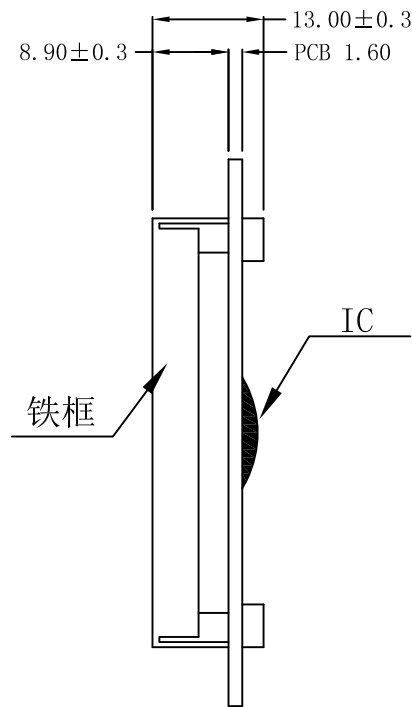
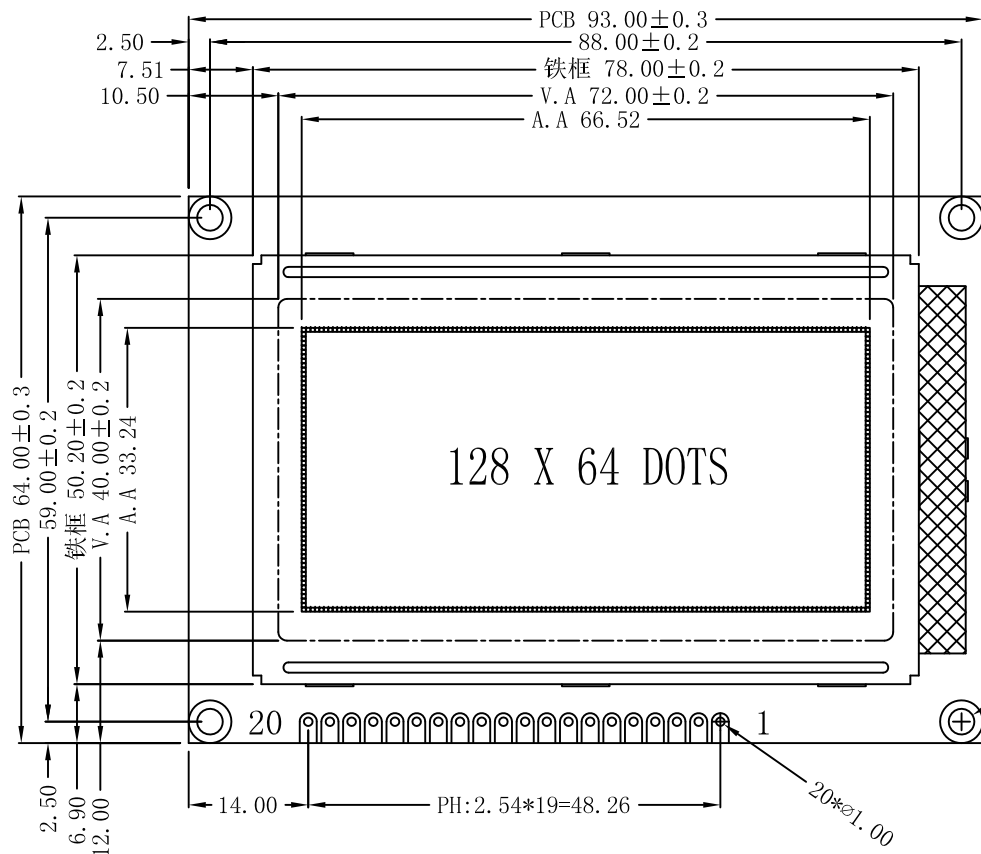


Revised Record

1.0

New issue

2015-05-07



INTERFACE

1	VSS
2	VDD(5V)
3	V0
4	RS
5	RW
6	E
7	DB0
8	DB1
9	DB2
10	DB3
11	DB4
12	DB5
13	DB6
14	DB7
15	CS1
16	CS2
17	/RST
18	VOUT
19	LED-A(+5V)
20	LED-K

Customer's Choices:

DISPLAY TYPE:	
View angle:	
Temp:	
Voltage:	
IC:	
Backlight:	
Other:	

NOTES:

- 01. DISPLAY TYPE: STN-BLUE/NEGATIVE/TRANSMISSIVE RoHS
- 02. OPERATING VOLTAGE: VOP=8.5V,VDD=5.0V
- 03. OPERATING TEMPERATURE: -20°C~+70°C
- 04. STORAGE TEMPERATURE: -30°C~+80°C
- 05. DRIVE MODE: 1/64DUTY,1/9BIAS
- 06. VIEWING DIRECTION: 6:00
- 07. DRIVE IC: AIP31107/31108(OR-EQV)
- 08. CONNECTOR: ZEBER
- 09. BACKLIGHT: LED(WHITE)
- 10. CUSTOMER'S PART ID: BLAZE_STANDARD_PRODUCT

BLAZE Blaze Display Technology Co.,Ltd.

DESIGNED BY: BDT-16	BGB12864-09F	VERSION: 1.0
CHECKED BY: BDT-05		PAGE 1 OF 1
APPROVED BY: BDT-03		UNIT: mm
Website: http://www.blazedisplay.com		DATE: 2015-05-07